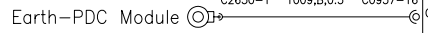
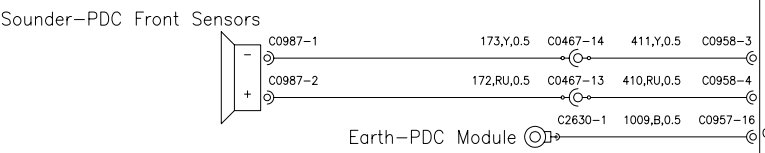
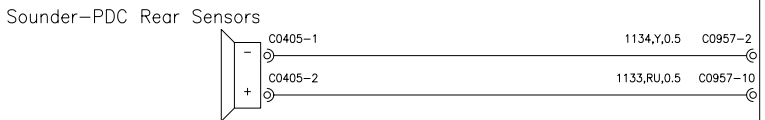
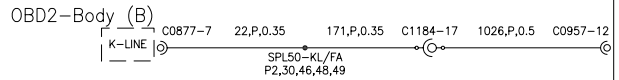
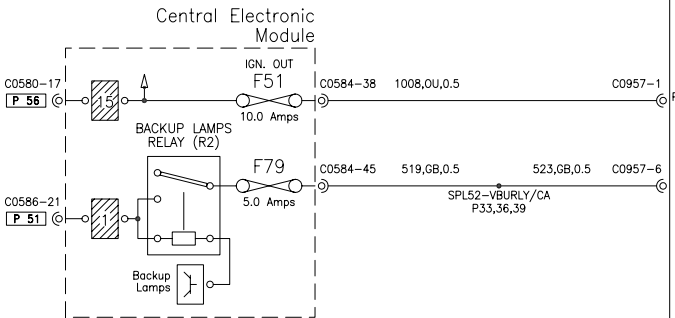
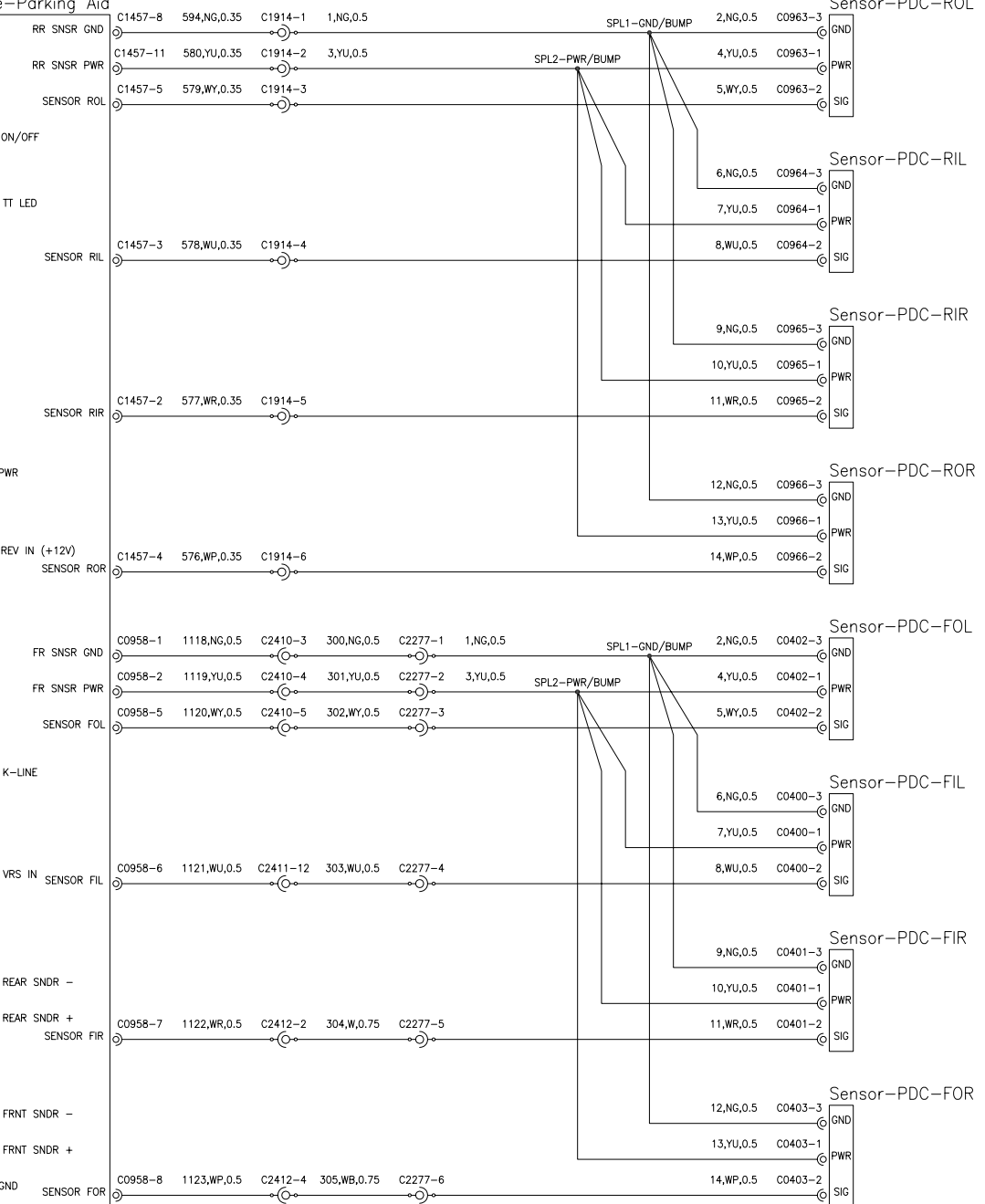


FOR OTHER CONNECTIONS ON SWITCH REFER TO PAGES FOR BACKGROUND ILLUMINATION.



Module-Parking Aid



DRAWN BY AP
DATE 13-07-07

TITLE
SUB-SYSTEM TITLE

PARKING DISTANCE AID

PROJECT VH105/35
BUILD IB

CPSC 00.06.51
REV LEVEL 1

AML DRG No.
8G43-14T400-AA